

# UNI Moke ADVERTISEMENT SIDEPANEL INSTALLATION MANUAL

## TOOLS YOU NEED



- ALLEN HEX KEY 4
- 15mm WRENCH (IN CASE YOU HAVE FRONT FOOTPEGS)

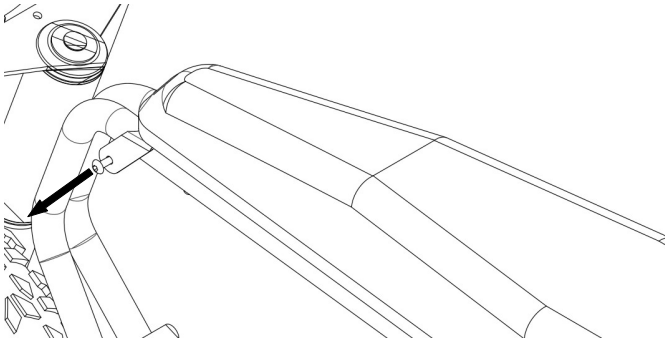
## IMPORTANT:

- TWO PERSONS MIGHT BE NECESSARY FOR SOME OF THE ASSEMBLY STEPS

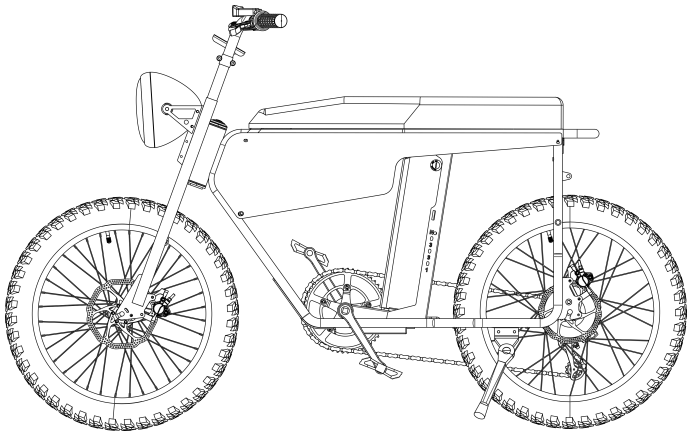
STEP 1: Secure your bike in a stable position

STEP 2: Unscrew the left screw from the seat hinge (DIN7380 – Buttonhead) with the allen hex key number 4

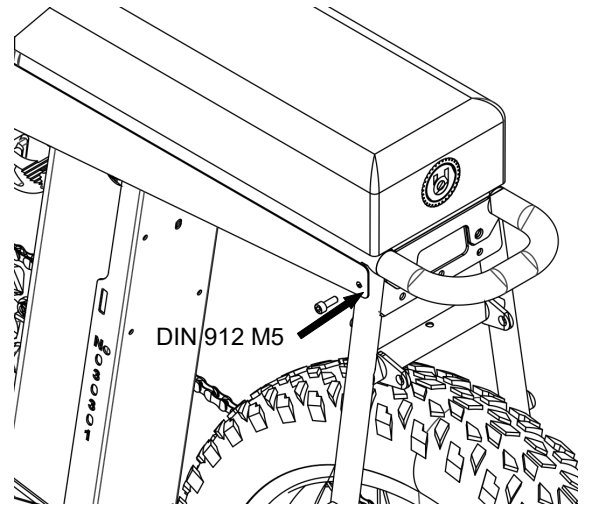
If case you have front footpegs, unscrew also the left one with the 15mm wrench.



STEP 3: Place left sidepanel and hold it in its mounting position.



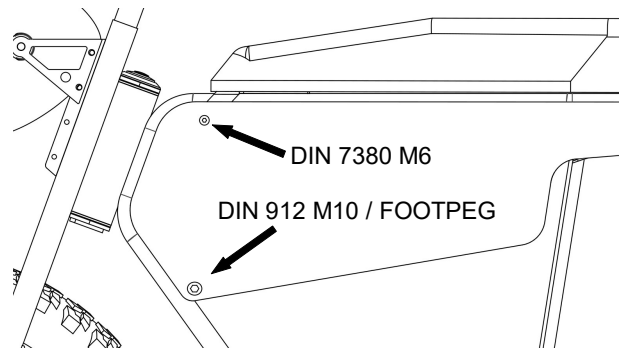
STEP 4: Screw the M5 DIN912 (Cylindrical cap) screw with the Allen hex key nr 4 without tightening



STEP 5: Screw back the seat hinge screw from STEP1 ensuring hole in the panel, seat hinge and frame threaded hole are all aligned. Do not tighten the screw completely.

Screw the M10 DIN912 (Cylindrical cap) – or the left footpeg from STEP 1- through the sidepanel hole into the footpeg treaded hole in the frame.

Once all screws and sidepanel are in right position, tighten all 3 screws (gently, have into account the sidepanel is plastic).



STEP 6: Repeat STEPS 1-5 with the right-side screws and panel.

STEP 7: Enjoy your UNI Moke with SIDEPANELS!

